

SB19030037

Technical Solutions for Mercedes Sprinter 2.2



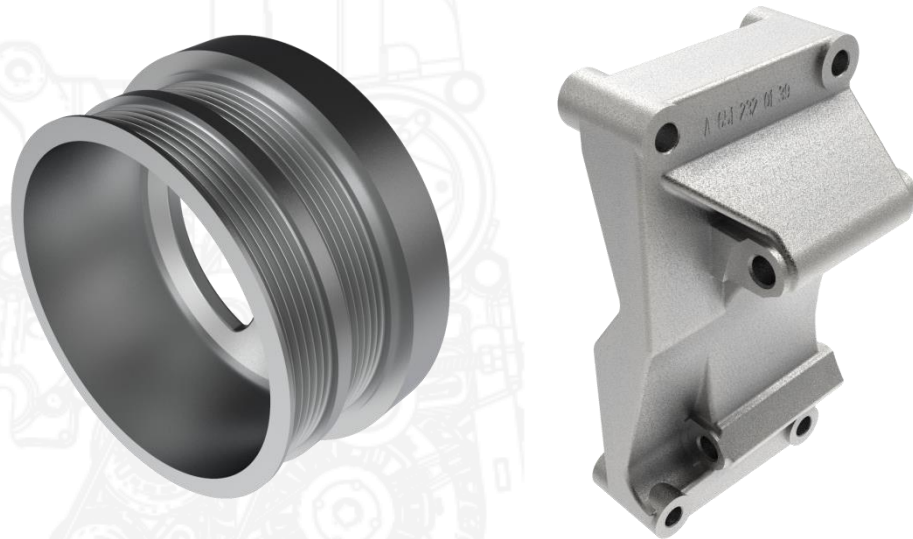
Wheel Drive Type	With AC	Without AC	Suitable Crankshaft Pulley	N63 Complete Option	Long Maintenance Intervals	Compressor	Oliva Torras Reference
FWD	X					TM/QP 13-15-16	KC18050461
FWD		X			X	TM/QP 13-15-16	KC18120475
RWD	X	X	N63			TM/QP 13-15-16	KC09070171
RWD	X	X	N63			TM/QP 21	KC09090175
RWD	X	X	N63		X	TM/QP 13-15-16	KC18110471
RWD	X	X	N63	X		TM/QP 13-15-16	KC14050363
RWD	X	X	Standard: A6510300803 A6510300703			TM/QP 13-15-16	KC09070172
RWD	X	X	Standard: A6510300803 A6510300703		X	TM/QP 13-15-16	KC18110472
RWD	X	X	Litens, Start/Stop: A6510351612 A6510351812 A6510350912			TM/QP 13-15-16	KC15010387
RWD	X	X	Litens, Start/Stop: A6510351612 A6510351812 A6510350912		X	TM/QP 13-15-16	KC18110473

SB19030037

Technical Solutions for Mercedes Sprinter 2.2

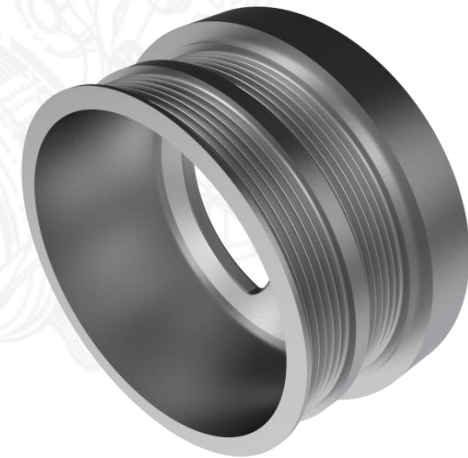


N63 Complete Option



A6510352212

Only N63 Pulley



A6510352212

SB19030037

Technical Solutions for Mercedes Sprinter 2.2



Standard “void” Pulley



A6510300703 / A6510300803

Litens “solid” Pulley



A6510351612 / A6510351812
A6510350912 / A6510351912