

# SB12100012 – Solutions for MB Sprinter 2.2 Euro5

## DRIVE KIT OPTIONS:

### MB SPRINTER MODELS

210 / 310 / 510 CDI

213 / 313 / 413 / 513 CDI

216 / 316 / 416 / 516 CDI

### VEHICLE SPECS.:

OM 651 DE22 LA

4 CYL./2.143 cm<sup>3</sup>

Vehicles equipped with and without  
a/c

Compatible with LHD vehicles

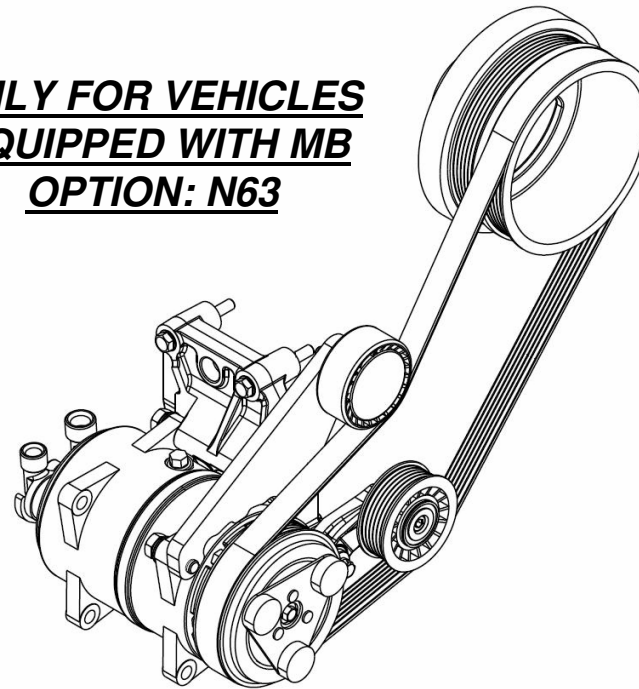
### APPLICATION

TM-13/TM-15/TM-16

UP-UPF120/150/170

SD5H14/SD7H15

**ONLY FOR VEHICLES  
EQUIPPED WITH MB  
OPTION: N63**

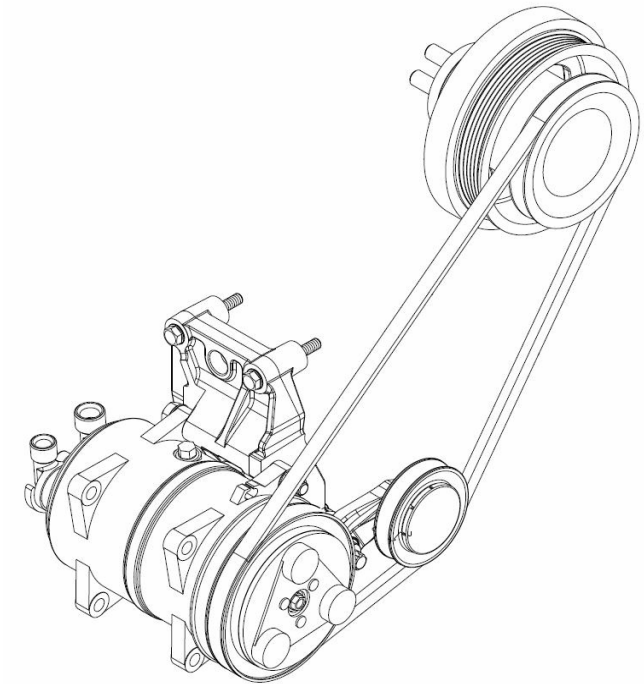


Standard:

Poly-V 6K Ø119  
5.153 rpm

Special clutch E/S:

Poly-V 6K Ø157  
3.906 rpm



2A Ø135  
3.300 rpm

**ORDER KIT:**

**KC09070171**

**KC09070172**