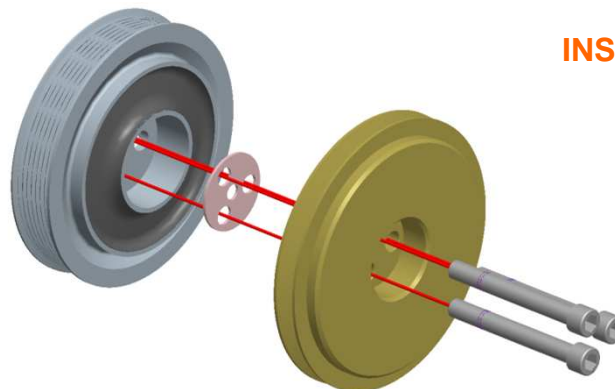
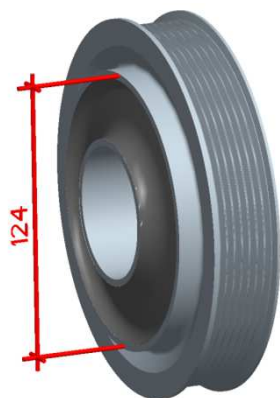


# SB11120006 Crankshaft pulley Ford Transit 2,400cc

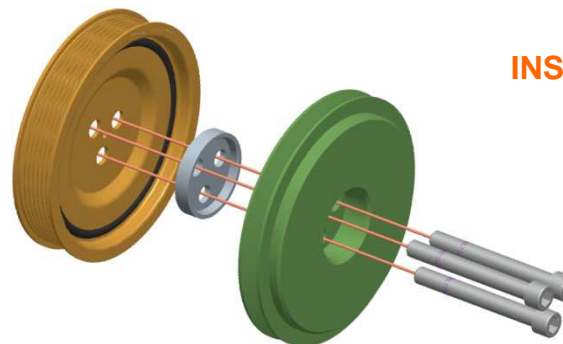
- ORIGINAL CRANKSHAFT PULLEY from June 2006  
Ford reference BX6BC 6 6C1Q 6B319 FA



## INSTALLATION PROCEDURE

- Step 1 → 30Nm
- Step 2 → 90°
- Step 3 → 120-180Nm

- ORIGINAL CRANKSHAFT PULLEY from November 2010  
Ford reference 4C10-68319-AA 2210GG DVLCC

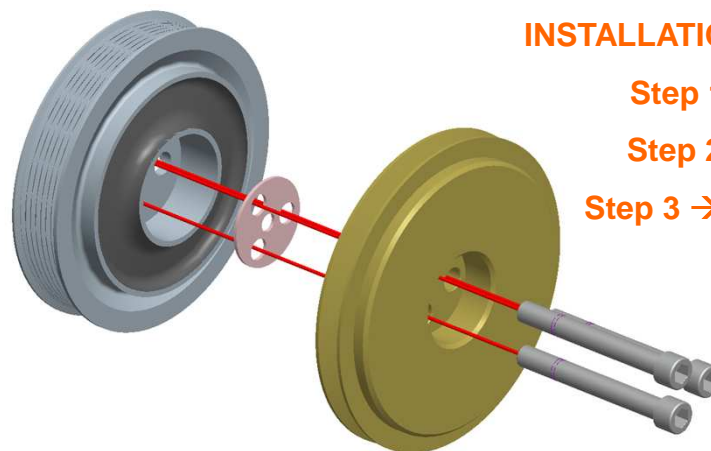
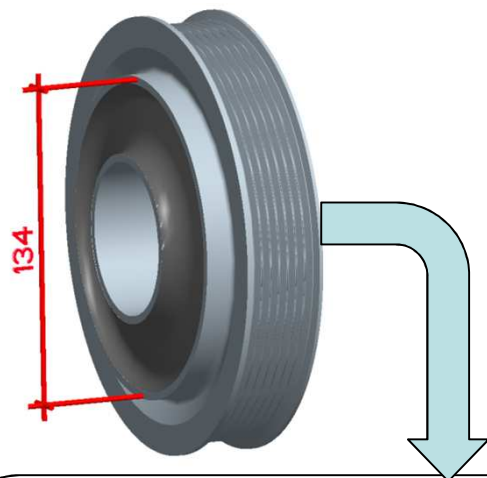


## INSTALLATION PROCEDURE

- Step 1 → 30Nm
- Step 2 → 90°
- Step 3 → 120-180Nm

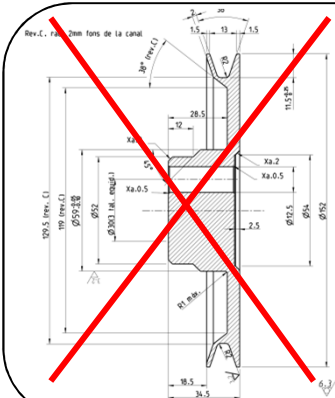
# SB11120006 Crankshaft pulley Ford Transit 2,400cc

- ORIGINAL CRANKSHAFT PULLEY from June 2011  
Ford reference BX6BC 6 6K3Q-6B319-CA



## INSTALLATION PROCEDURE

- Step 1 → 30Nm
- Step 2 → 90°
- Step 3 → 120-180Nm



**IMPORTANT**  
*It's not possible to install Oliva Torras pulley  $\varnothing$ 152mm on to this new crankshaft pulley*

**IMPORTANT**  
*Install only Oliva Torras pulley  $\varnothing$ 164*